



## AS894(E) Autoserter

### What does it do?

- Automatically places layer pads

### What is new on this model?

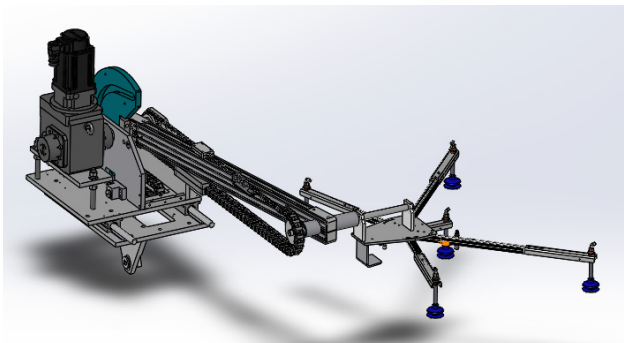
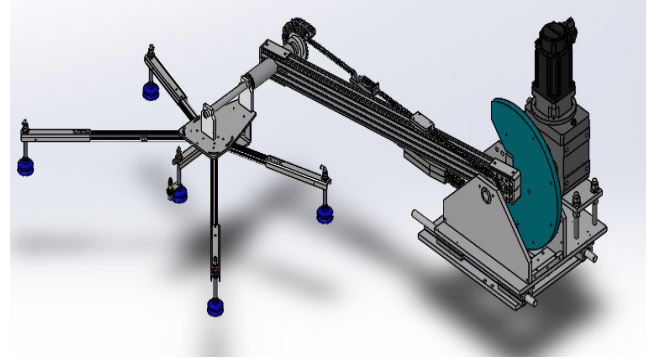
- Light weight extrusion arm and head
- Chain drive replaces less reliable belt in previous version
- Compensation at end of arm
- Twice the bearing capacity in base

### Why would I want this?

- Productivity - Increase the throughput of your machine by removing a manual operation
- Reliability - New features increase uptime relative to older versions (and allows you to run faster without the "spider" effect)

### Applies to:

- C and R Series Palletizers
- One-Pass and Depalletizers



For our European office, contact:  
Plumtree Farm Industrial Estate,  
Bircotes, Doncaster  
South Yorkshire DN11 8EW ENGLAND  
t. +44 (0) 1302 711056

Ambec CBI-Fleetwood Fleetwood Goldco-Wyard