



Rotofeeder® Capacities

Standard and Dual Discharge Models for 200 to 404 Ends					
Model	End Size	Total Pockets Standard / Dual	Capacity 560 pkt* Standard / Dual	Dimension A - Length (Ref.)	
				Standard	Dual
28/ 28D	200-211	28 / 28	15,680	74" 1880 mm	79" 2007 mm
	300-303	24 / 28	13,440 / 15,680		
	307	21 / 25	11,760 / 14,000		
	401-404	18 / 22	10,080 / 12,320		
42/ 42D	200-211	42 / 42	23,520	100" 2540 mm	110" 2794 mm
	300-303	36 / 42	20,160 / 23,520		
	307	31 / 37	17,360 / 20,720		
	401-404	28 / 33	15,680 / 18,480		
56/ 56D	200-211	56 / 56	31,360	126" 3200 mm	141" 3581 mm
	300-303	48 / 56	26,880 / 31,360		
	307	42 / 49	23,520 / 27,440		
	401-404	37 / 44	20,720 / 24,640		
70/ 70D	200-211	70 / 70	39,200	152" 3861 mm	170" 4318 mm
	300-303	60 / 70	33,600 / 39,200		
	307	52 / 61	29,120 / 34,160		
	401-404	46 / 54	25,760 / 30,240		
98/ 98D	200-211	98 / 98	54,880	208" 5284 mm	231" 5868 mm
	300-303	84 / 98	47,040 / 54,880		
	307	73 / 86	40,880 / 48,160		
	401-404	65 / 76	36,400 / 42,560		

*Based on 46" stack, nesting ends. Other pocket sizes available.

Features

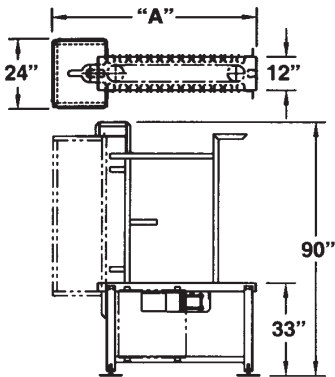
- Standard power required: 230/460, 3-phase, 60Hz
- Compressed air: 80 psi max [5.5 Bar]
- Painted carbon steel standard
- Stainless steel for washdown applications available

Rotofeeder® Capacities (Can End Applications)

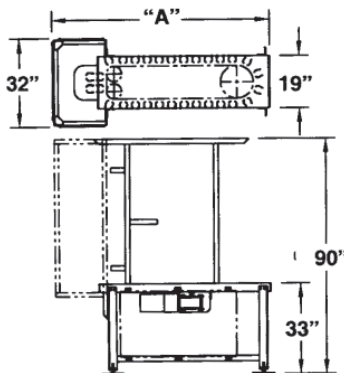
Models "L" and "DL" for 502 to 610 Ends

Model	End Size	Total Pockets Standard / Dual	Capacity 300 pkt* Standard / Dual	Dimension A - Length (Ref.)	
				Standard	Dual
18L/ 18DL	502	18	5,400	87" 2210 mm	Contact Factory
	603	15	4,500		
	610	14	4,200		
24L/ 24DL	502	24 / 24	7,200	107" 2718 mm	100" 2540 mm
	603	20 / 20	6,000		
	610	18 / 19	5,400 / 5,700		
30L/ 30DL	502	30 / 30	9,000	128" 3252 mm	125" 3175 mm
	603	25 / 26	7,500 / 7,800		
	610	23 / 24	6,900 / 7,200		
36L/ 36DL	502	36 / 36	10,800	149" 3785 mm	142" 3607 mm
	603	30 / 30	9,000		
	610	28 / 28	8,400		
42L/ 42DL	502	42	12,600	169" 4293 mm	Contact Factory
	603	35	10,500		
	610	33	9,900		

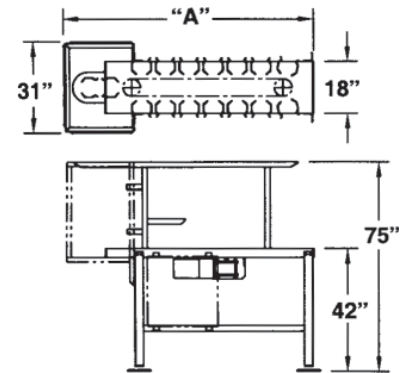
*Based on 23" stack, nesting ends. Model L and DL elevations are identical



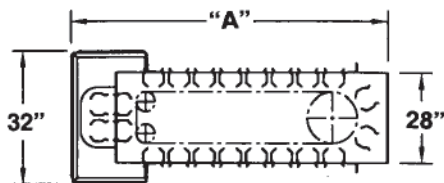
Standard Model



Dual Discharge Standard



Model "L" - Large Diameter



Model "DL" - Dual Large

For our European office, contact:
Plumtree Farm Industrial Estate,
Bircotes, Doncaster
South Yorkshire DN11 8EW ENGLAND
t. +44 (0) 1302 711056

Ambec CBI-Fleetwood Fleetwood Goldco-Wyard

BW Container Systems

1305 Lakeview Drive
Romeoville, IL 60446 USA

t. +1 (630) 759-6800
bwcontainersystems.com

barrywehmler
bw
betterworld